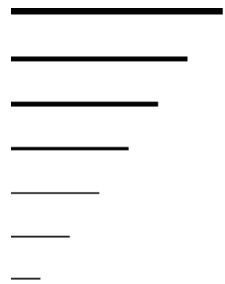
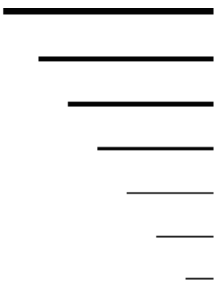


IACA UCC XML



33rd Annual Conference
Austin, Texas
May 23 - 27, 2010



Discussion Items

- Review UCC Filing XML
- Implementation Guide Changes
- Review UCC Searching XML
- Submission Protocol
- Who is using it
- Kansas Implementation
- International Implementation



Review UCC Filing XML

Design Goals

- Provide a machine independent means for a filer to **submit filings electronically without manual or human intervention.**
- Ability to retrieve acknowledgment information
- Standardize the data element requirements for UCC filings.
- Provide jurisdictions with a solid structure to implement
- Provide a uniform way for filers and jurisdictions to interface for UCC filings
- Ability to search filings.



Review UCC Filing XML

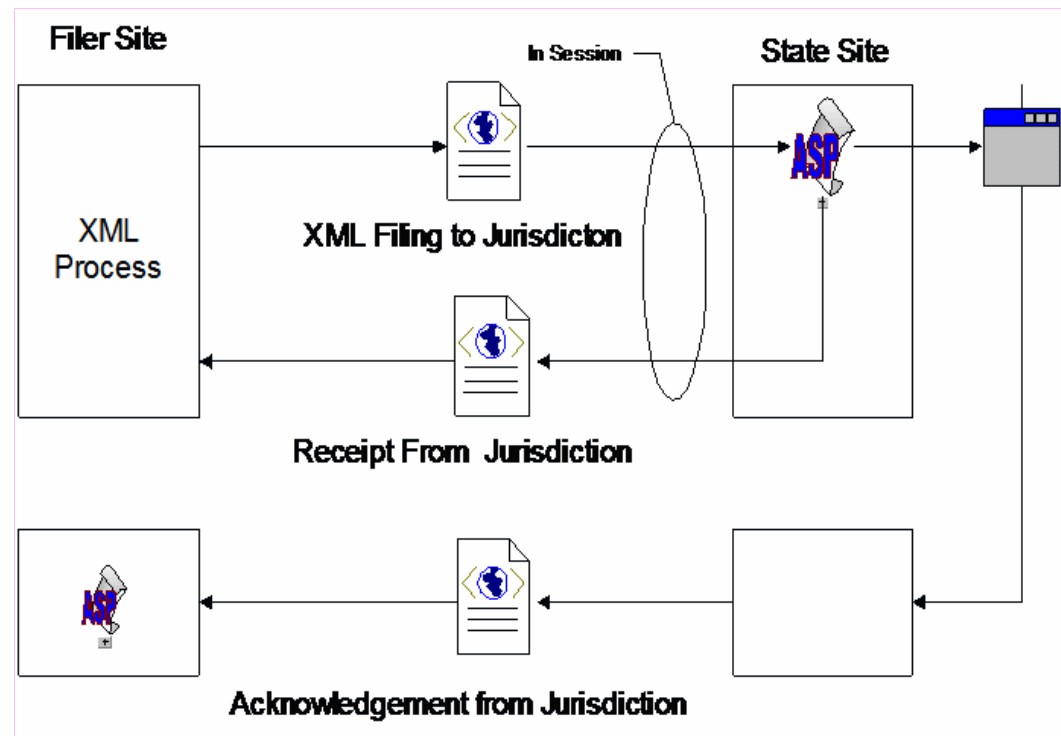
XML Structure

- XML Document has two prime sections
 - Header (global to all records)
 - Filer Information
 - Contact information
 - Record (one per filing)
 - Design will allow for multiple records
 - In practice filings are one record per document
- Four basic Element Sections in Record
 - Names (Debtor, Secured Party)
 - Collateral (text and attachment PDF, FSA Filings)
 - Filing Information
 - Acknowledgment section (return only)



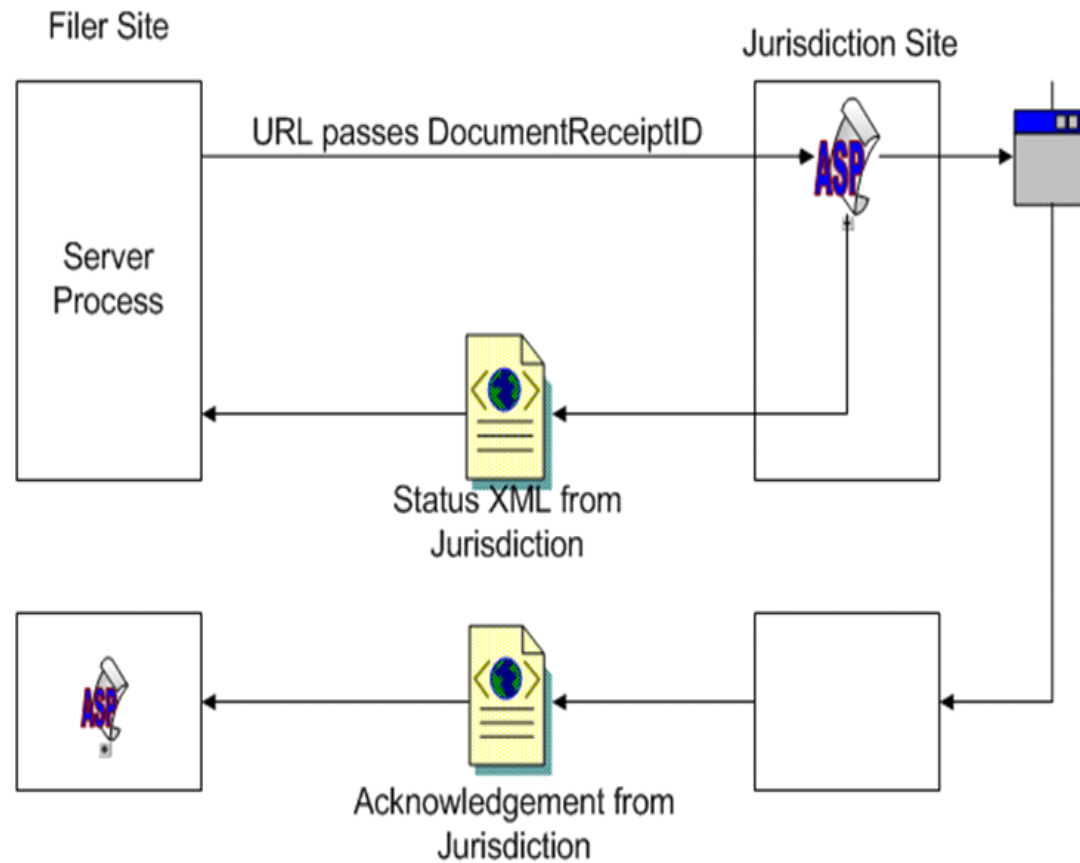
Review UCC Filing XML

Submission process



Review UCC Filing XML

Status Request



Implementation Guide Changes

- Rewrote implementation guide
- **Batch** nomenclature abandoned
- Clearer definition of XML elements
- Recommendation to use Web Service
- Definition of Receipt Document
- Definition of Status request Process
- Definition of Acknowledgment Image Retrieval
- Ability to specify two fees in Acknowledgment
- Ability to add attachments (PDF) to filing
- Rework of Searching definition



Submission Protocol

HTML Post Submission

- Information is sent to a web page
- Web page processes the inbound data , primarily by passing it on to a internal application
- This submission protocol is simple to implement but has the normal web page limitations.
- Limited standards support through W3C



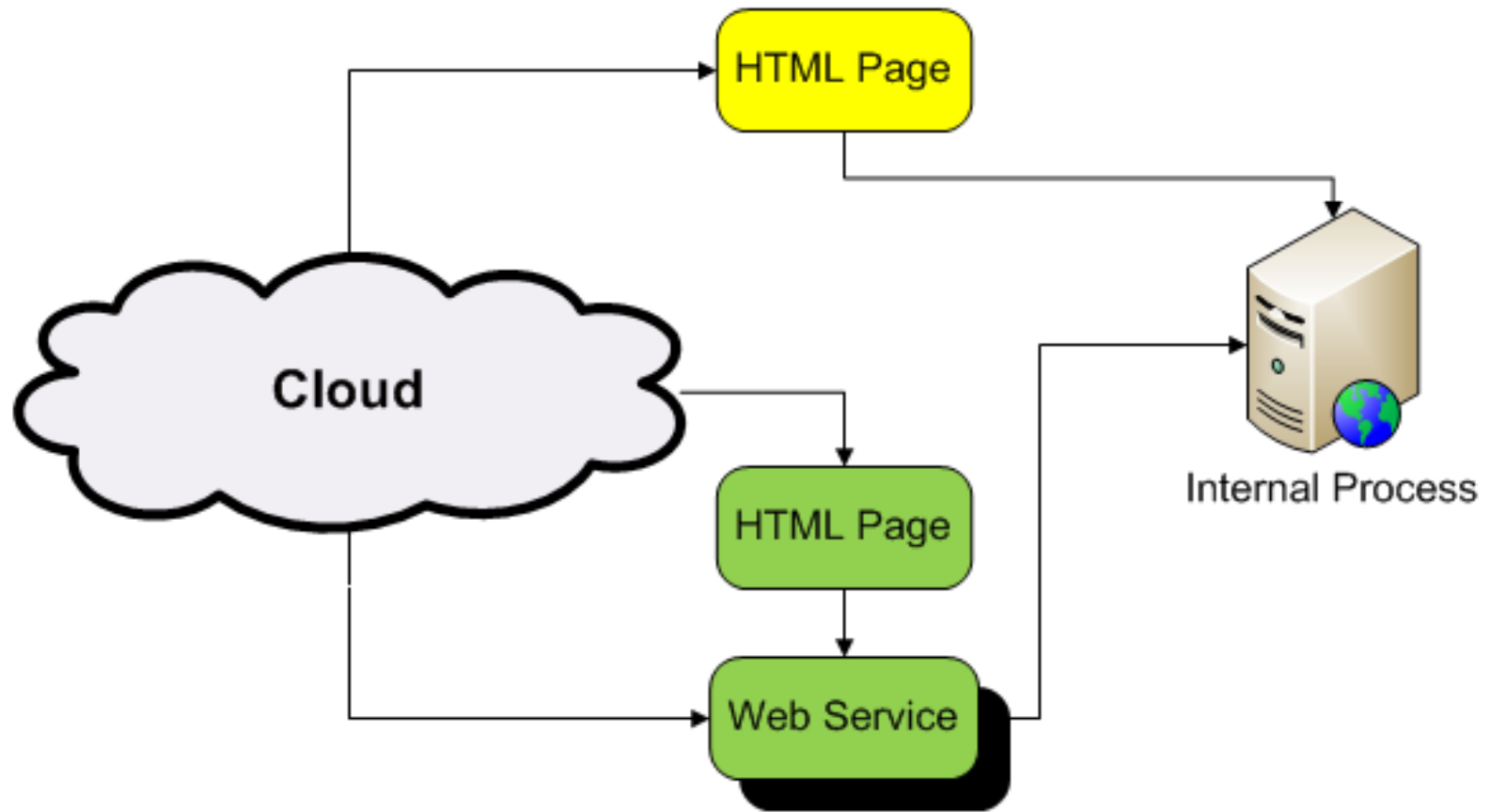
Submission Protocol

Web Services

- Expose business function through an open interface
 - SOAP (Simple Object Access Protocol)
 - SOAP is support by W3C standards
- Provides Security
 - Web services can have user credentials
 - Web services can easily implement SSL encryption
- Provide Flexibility
 - Functionality can be reused by other application
 - Applications can be changed without having to re-develop the web services.



Submission Protocol

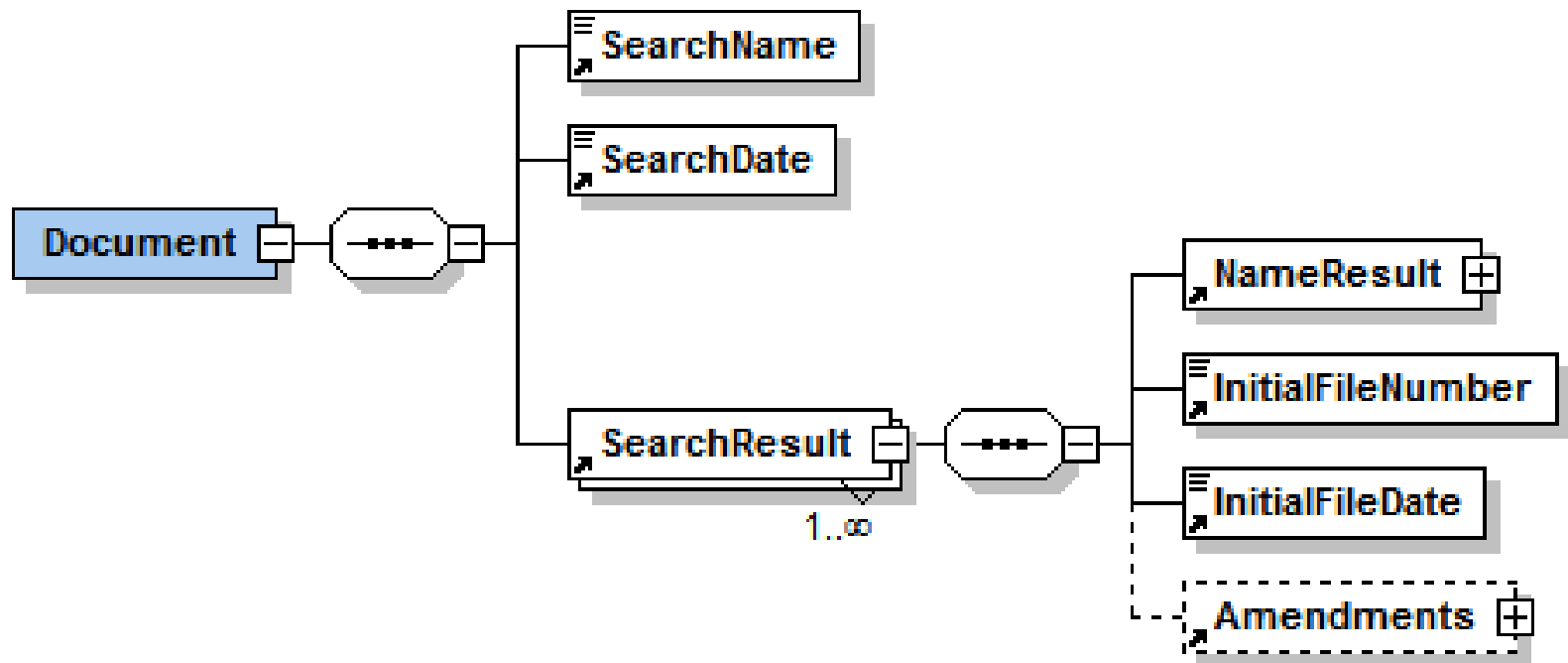


Review UCC Searching XML

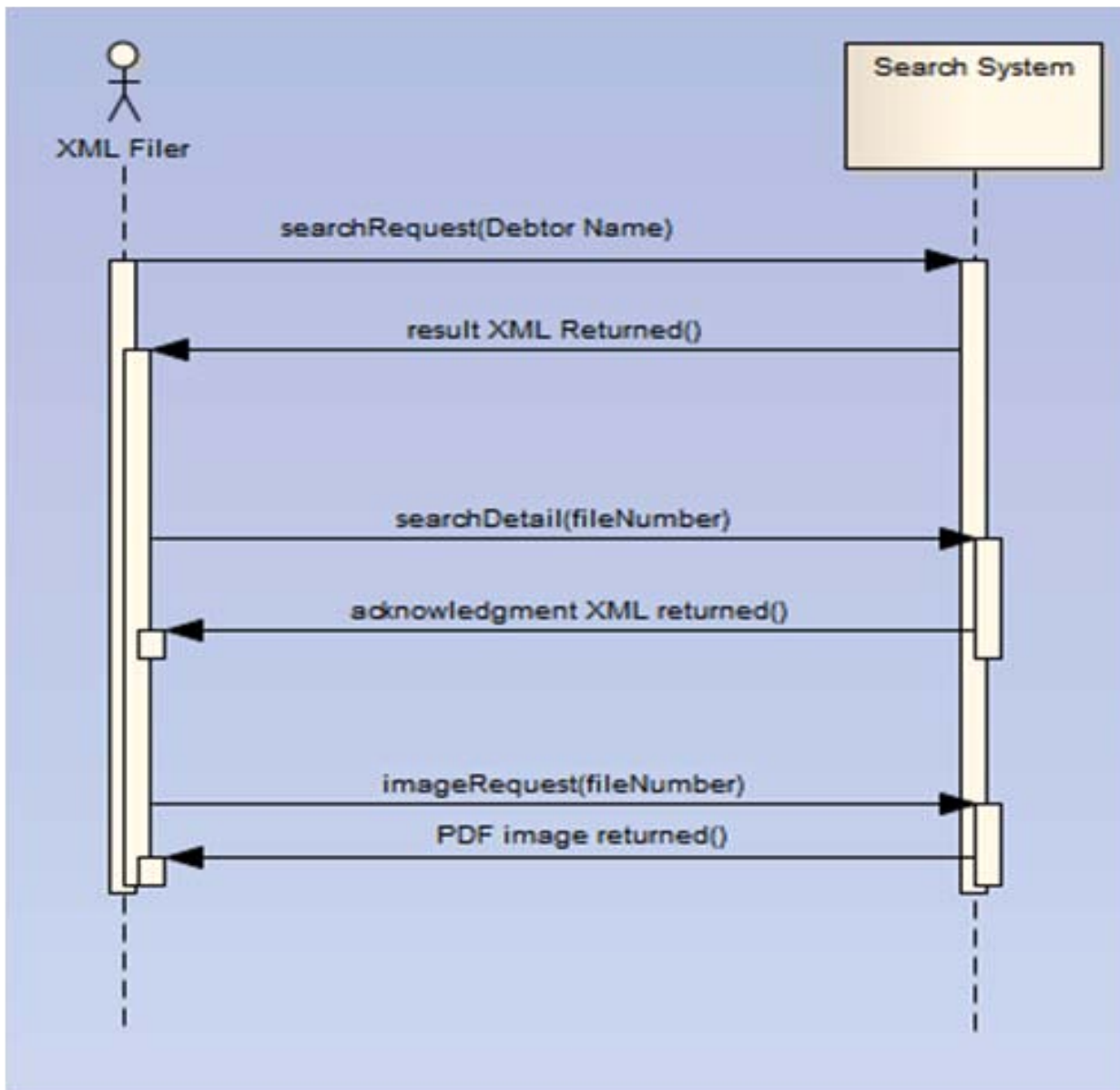
- XML Definition for search results
- Two step process
 - Submit name to search > get result XML
 - Submit File Number > get filing XML
- Simple Results XML
- Web Service and HTML interface recommended
- Ability to retrieve PDF image



Review UCC Searching XML



Review UCC Searching XML



Who is using XML Filing

Currently Implemented (17 States)

Missouri	Kansas	Washington
California	Texas	New Mexico
Idaho	Iowa	Pennsylvania
Illinois	Mississippi	New Hampshire
Maine	Massachusetts	New York
North Carolina		Minnesota

Planning on Implementing (5 States)

Georgia (close)	Florida (interest)
Colorado (interest)	Wisconsin (interest)
Michigan (interest)	



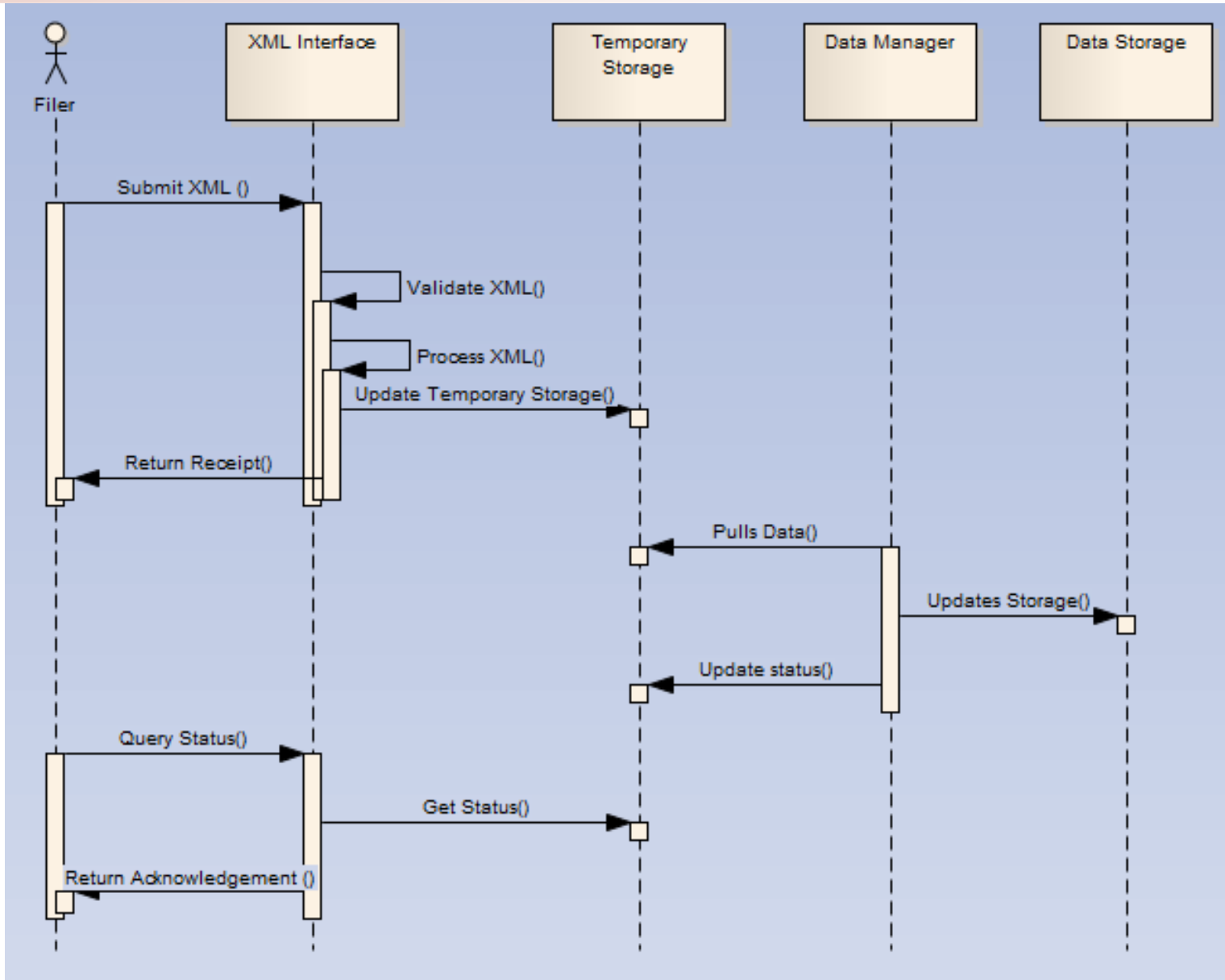
Kansas Implementation

Initial Implementation

- XML Interface was an after thought
- Web service front end built
 - Defines all transaction types
 - Verifies all transaction types
 - Returns Receipt Document
 - Automatically send s acknowledgments
 - Interfaces to legacy system
 - Data Storage
 - Business Rules
- Web site used different processing logic and data connection.



Kansas – Current Process



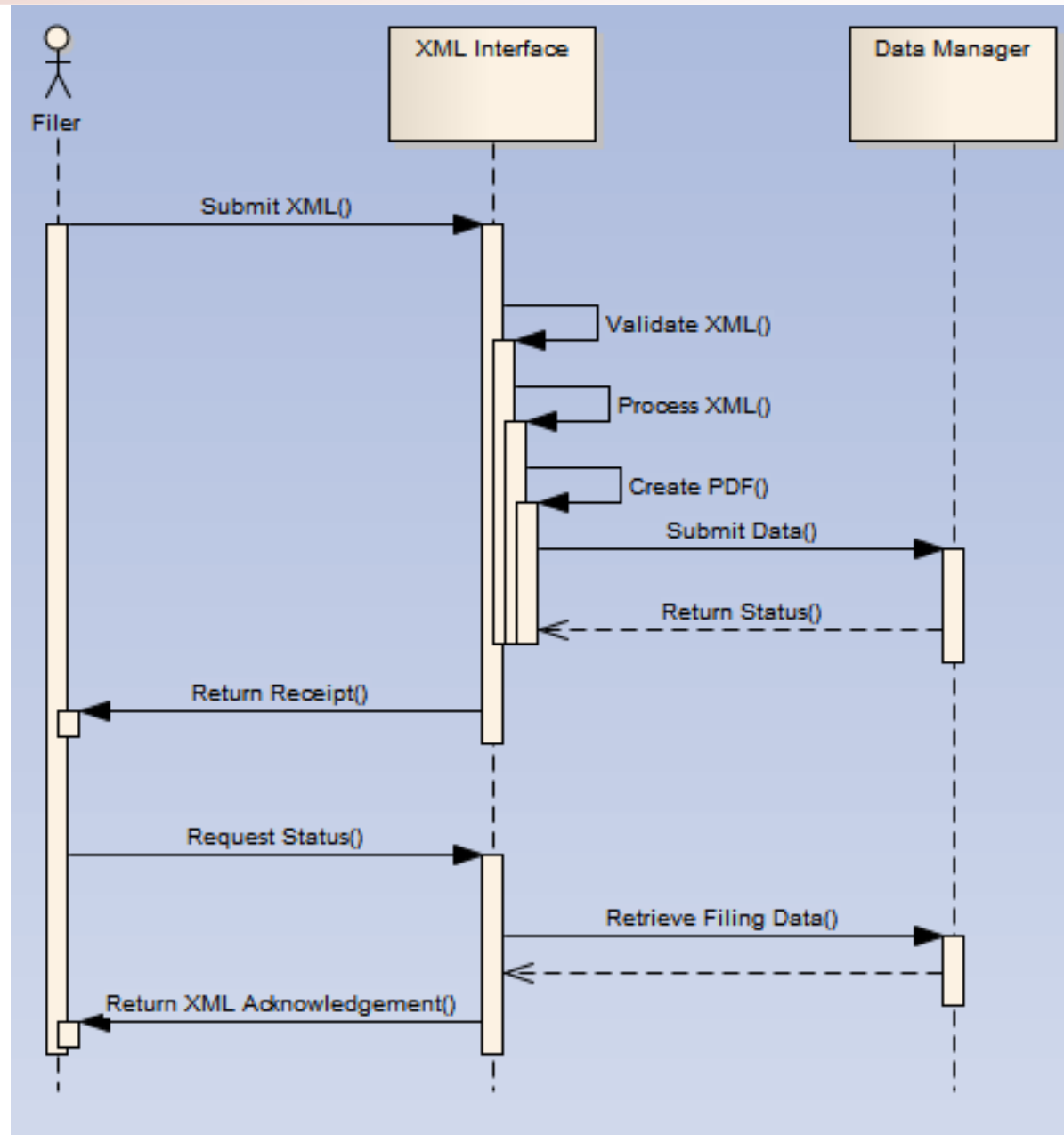
Kansas - New Design

Current Development

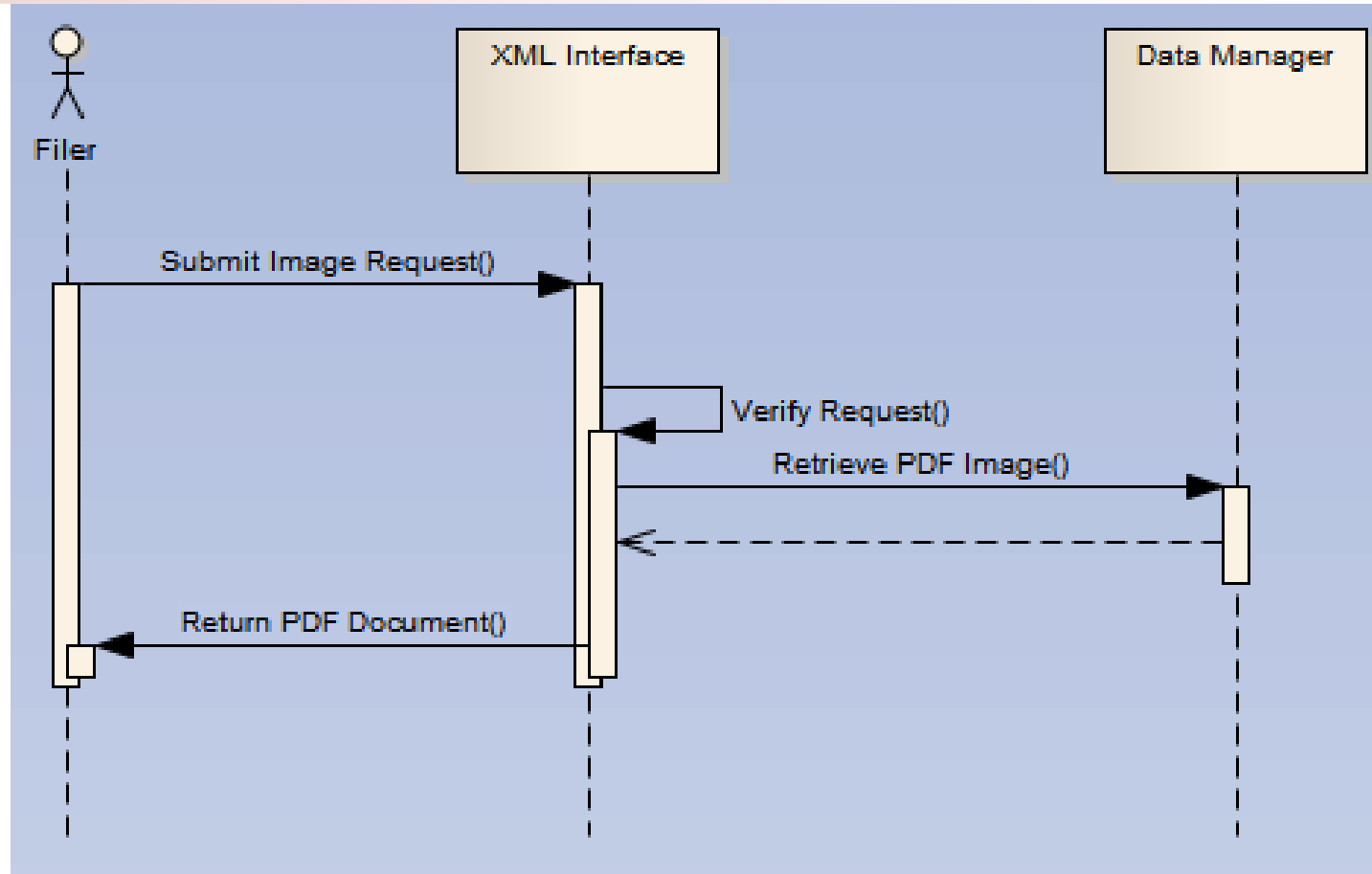
- XML is the data design foundation
- All data will be transferred in the XML format
- Web services to provided uniform functionality
 - Filing
 - Searching
 - Financial
 - Administrative
- All touch points will use same logic
 - XML interface
 - Web interface
 - Internal processing



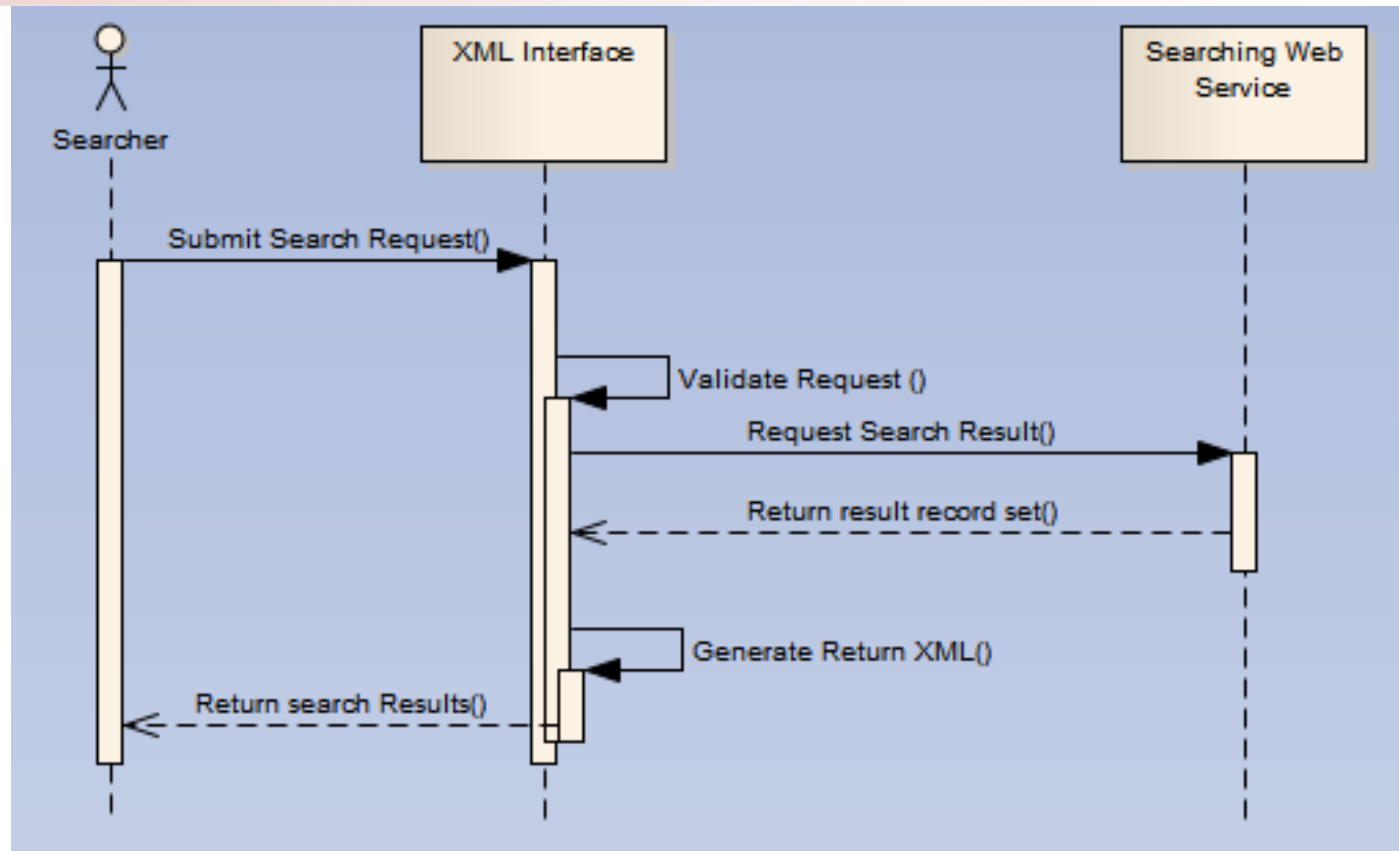
Kansas - New Filing Process



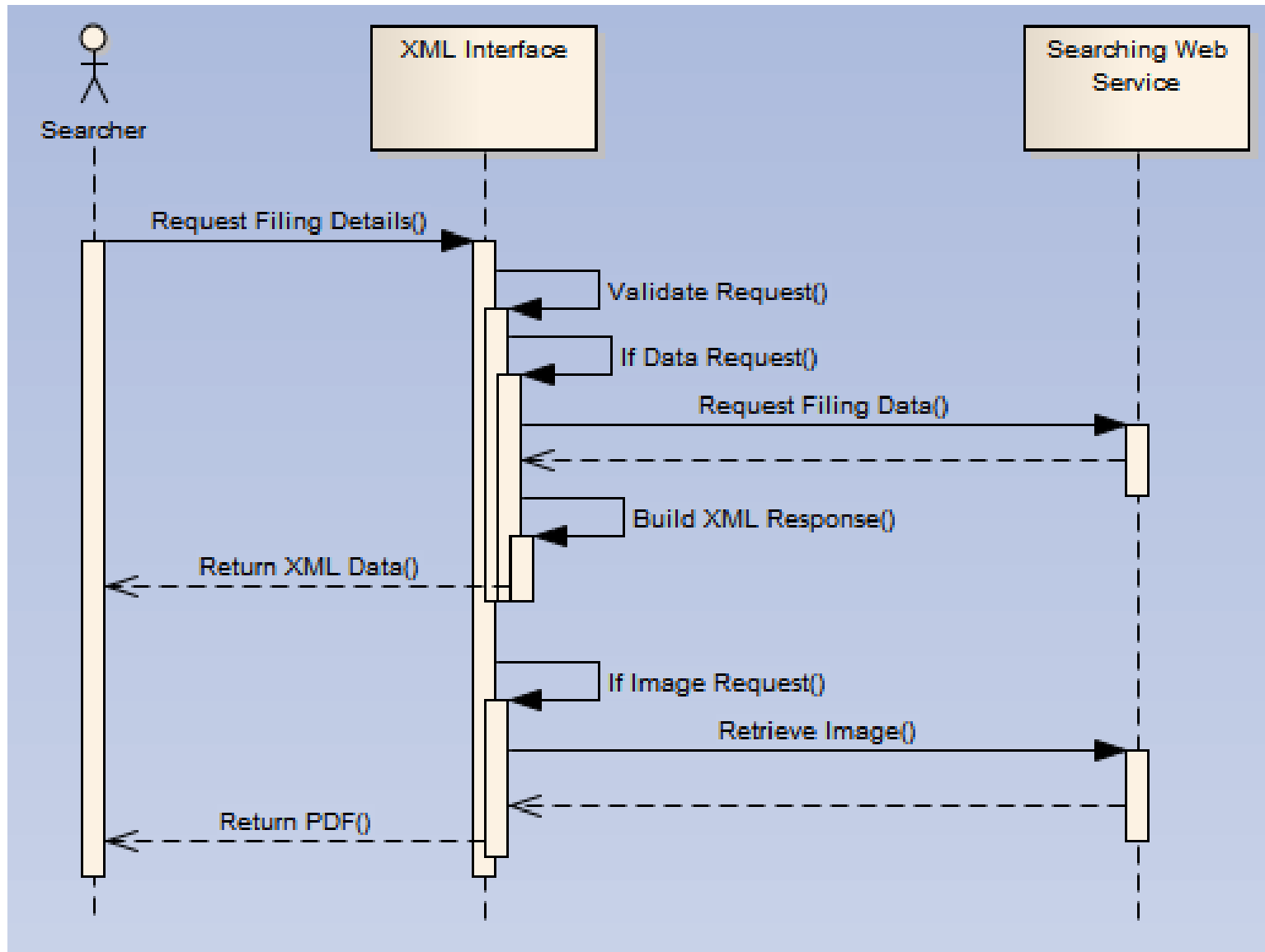
Kansas - Image Retrieval



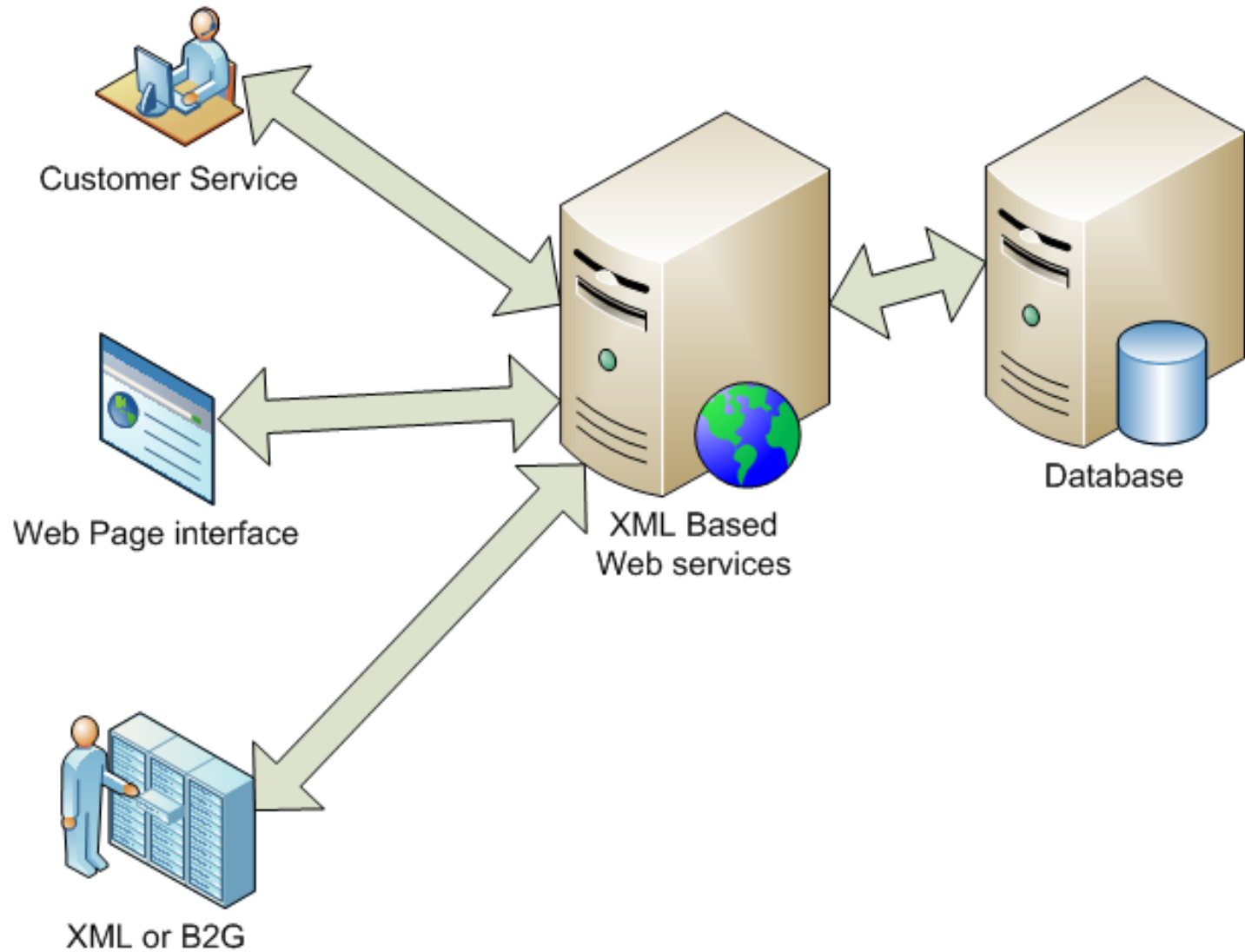
Kansas – New Searching



Kansas – New Searching



Kansas – Web Services Reuse



International Implementation

Honduras

- XML Based design that is fully automated
- Demo was given earlier this morning
- Other Latin American countries to follow

China

- Looking at the XML standard
- Will support other character sets



Questions

Thomas M. Ose

Ose Micro Solutions , Inc.

(217) 483-4368

